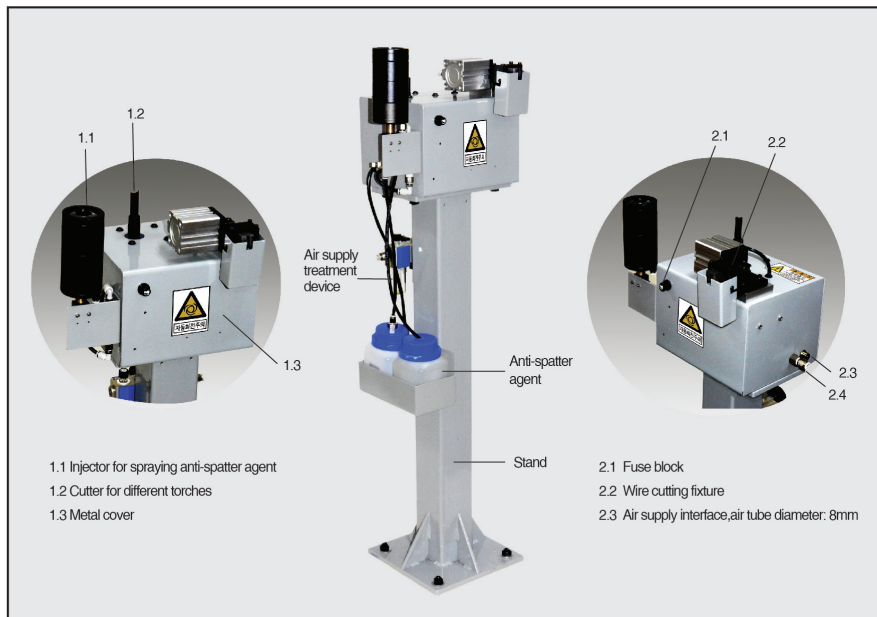




ROBOT ARCTEC
로봇 아크텍(주)

SC300A Electric Cleaning Station

System Overview:



Product Features:

- Electric motor, cost-effective.
- Overload protection device for motor.
- Clean environment for confined space of spraying and collecting soiled oil.
- Horizontal wire cutting makes precise cutting quality and long lifetime for cutter blade.
- Cleaning by torch moving up and down, precise positioning.
- Full-automation, No manual operation.

Ordering Information:

- SC300A Full function cleaning station without stand and air supply components
- SC300C With cleaning function, without spraying oil and cutting wire function
- SC300CS With cleaning and spraying oil function, without cutting wire function
- SC300A-Z1 Full function cleaning station with stand but without air supply components
- SC300A-Z2 Full function cleaning station with stand and air supply components

Technical data:

- Air requirements: Oil free and dry compressed air, 6-8bar
- Ambient temperature: +5°C to +50°C
- Air consumption: approx. 2L/S
- Rated voltage: 24V DC
- Control current: 1max. 0.15A
- Operating voltage: 220V AC
- Operating current: max. 0.5A
- Electric motor: approx. 120rpm; Max. torque: 1.18Nm
- Capacity of anti-spatter agent bottle: 500ml
- Cutting rate : Solid wire : up to 1.6mm
Flux cored wire: up to 3.2mm
- Cutting time : 0.5 sec

SC Cleaning Station

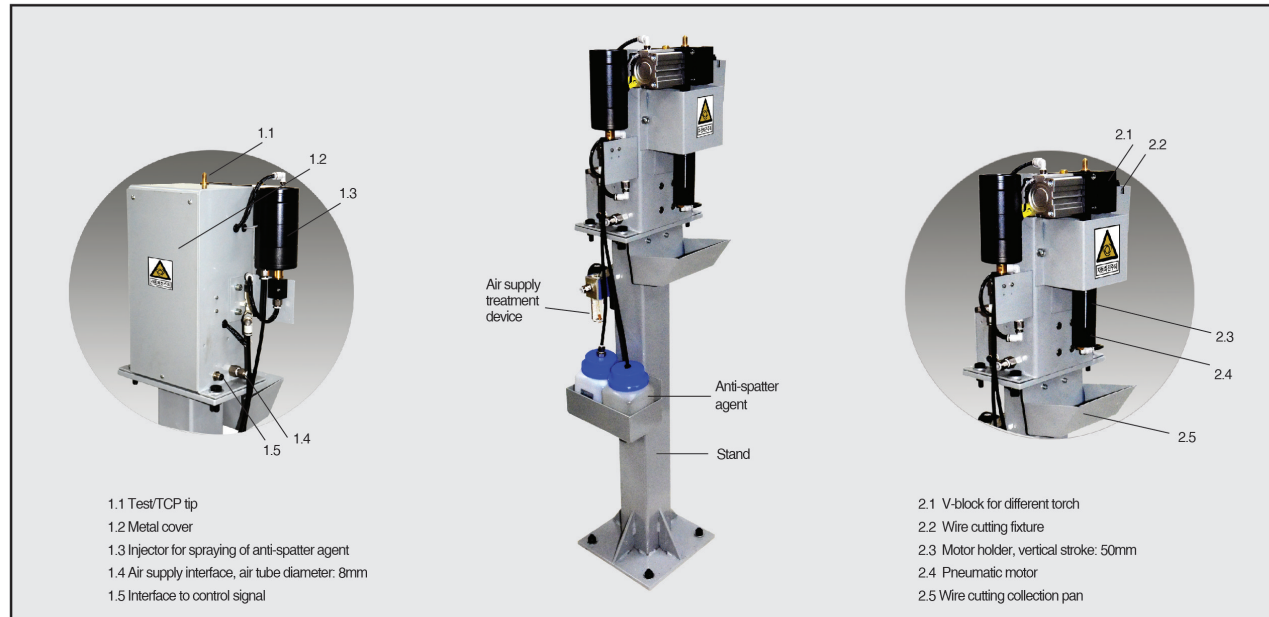


SC300A



SC200A

System Overview:



Technical data:

- Air requirements: Oil free and dry compressed air, 6-8bar
- Ambient temperature: +5°C to +50°C
- Air consumption: approx. 2L/S
- Pneumatic motor: approx. 425rpm, Max. torque: 6.3Nm
- Rated voltage: 24V DC
- Control current: 1max. 0.15A
- Capacity of anti-spatter agent bottle: 500ml
- Cutting rate : Solid wire : up to 1.6mm
Flux cored wire : up to 3.2mm
- Cutting time : 0.5 sec

Product Features:

- Imported Pneumatic motor, large torque, be able to remove heavy spatter. Overload protection, long lifetime.
- Clean environment for confined space of spraying and collecting soiled oil.
- Horizontal wire cutting makes precise cutting quality and long lifetime for cutter blade.
- With TCP tip.
- Clamping device for gas nozzle max. 28mm OD, no need to change V-block.
- Full-automation, No manual operation.

Ordering Information:

- SC300A Full function cleaning station without stand and air supply components
- SC300C With cleaning function, without spraying oil and cutting wire function
- SC300CS With cleaning and spraying oil function, without cutting wire function
- SC300A-Z1 Full function cleaning station with stand but without air supply components
- SC300A-Z2 Full function cleaning station with stand and air supply components